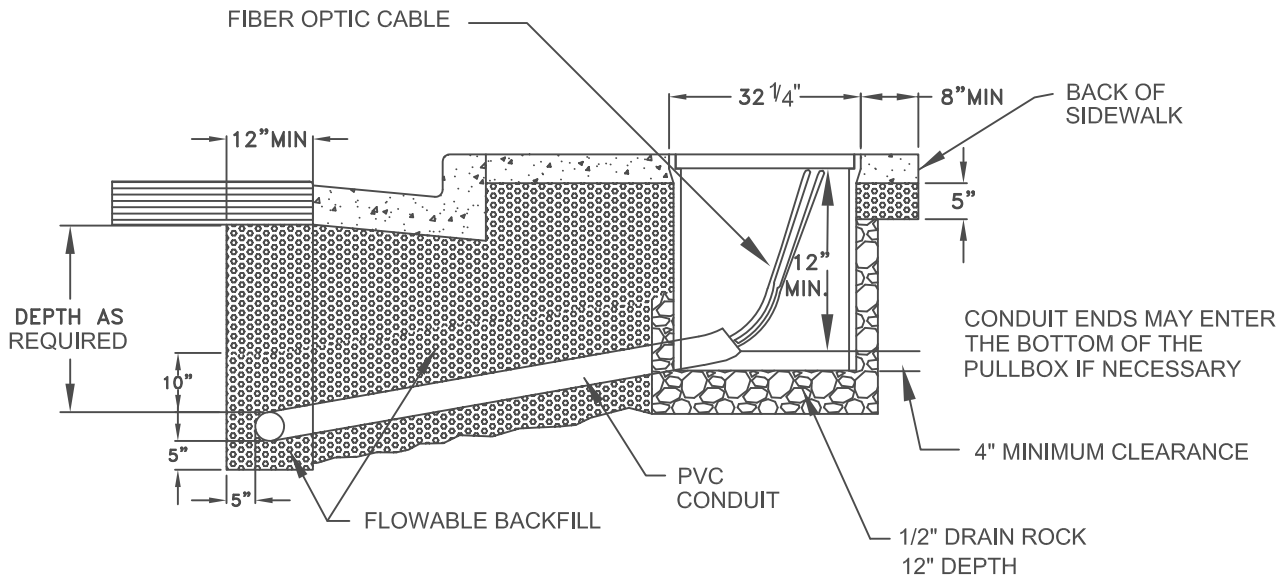


SPECIFICATION REFERENCE		UNIFORM STANDARD DRAWINGS CLARK COUNTY AREA	
		ITS COMMUNICATION CONDUIT AND PULL BOX DETAIL (FOR EXISTING CURB & GUTTER)	
DATE	3-13-08	DWG. NO.	404.142
		SHEET 1 OF 2	

PULL BOX MAY ALSO BE PLACED NEAR THE BACK OF CURB WITH A MIN. 8" CLEARANCE



SECTION A-A

NOTES:

1. P30 PULL BOX SHALL BE INSTALLED FOR THE TRAFFIC SIGNAL ITS COMMUNICATIONS PER APPLICABLE STANDARDS.
2. PULL BOX COVER SHALL BE INSCRIBED "FIBER OPTICS".
3. APPROXIMATE LOCATIONS OF THE PROPOSED P30 ITS COMMUNICATION PULL BOXES ARE SHOWN ON THE PLANS. THE CONTRACTOR SHALL BE RESPONSIBLE FOR MARKING THE LOCATIONS OF THE PROPOSED ITS COMMUNICATION PULL BOXES IN THE FIELD PER STANDARD STANDARD SPECIFICATION INTERVALS AND THESE LOCATIONS SHALL BE SUBJECT TO APPROVAL OF THE ENGINEER BEFORE INSTALLATION.
4. DETAIL SHOWS METHOD OF INSTALLATION WHEN FIBER OPTIC CABLE IS REQUIRED.

SPECIFICATION REFERENCE		UNIFORM STANDARD DRAWINGS CLARK COUNTY AREA					
		ITS COMMUNICATION CONDUIT AND PULL BOX DETAIL (FOR EXISTING CURB & GUTTER)					
		DATE	3-13-08	DWG. NO.	404.142	SHEET	2 OF 2