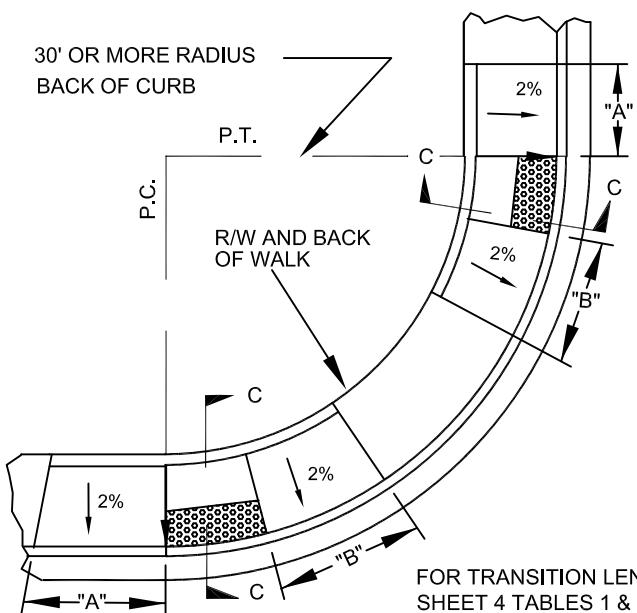
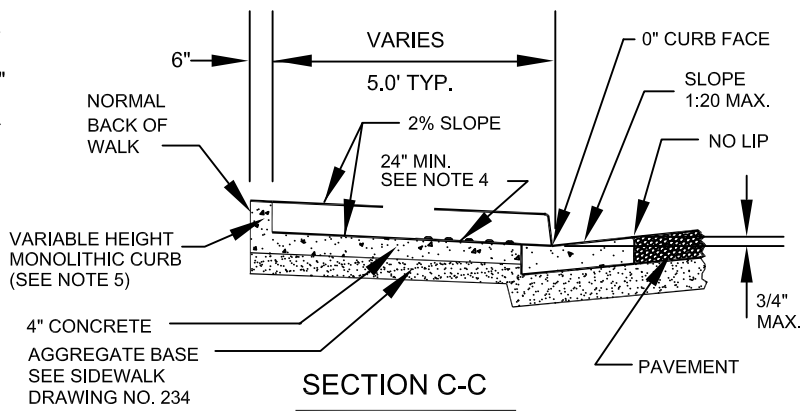


RAMP IN CURB RETURN

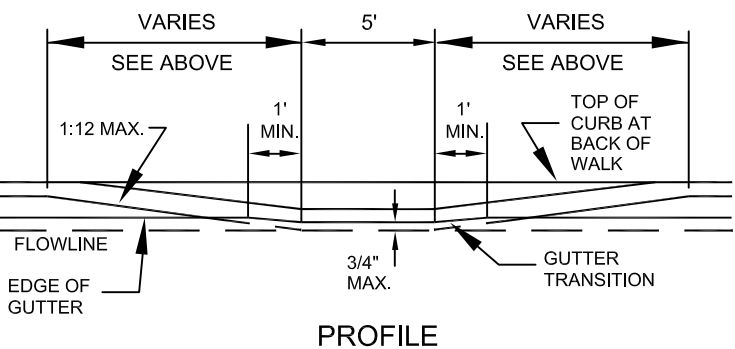
RAMP OUTSIDE CURB RETURN



PAIRED RAMP IN CURB RETURN



SECTION C-C



PROFILE

NOTES:

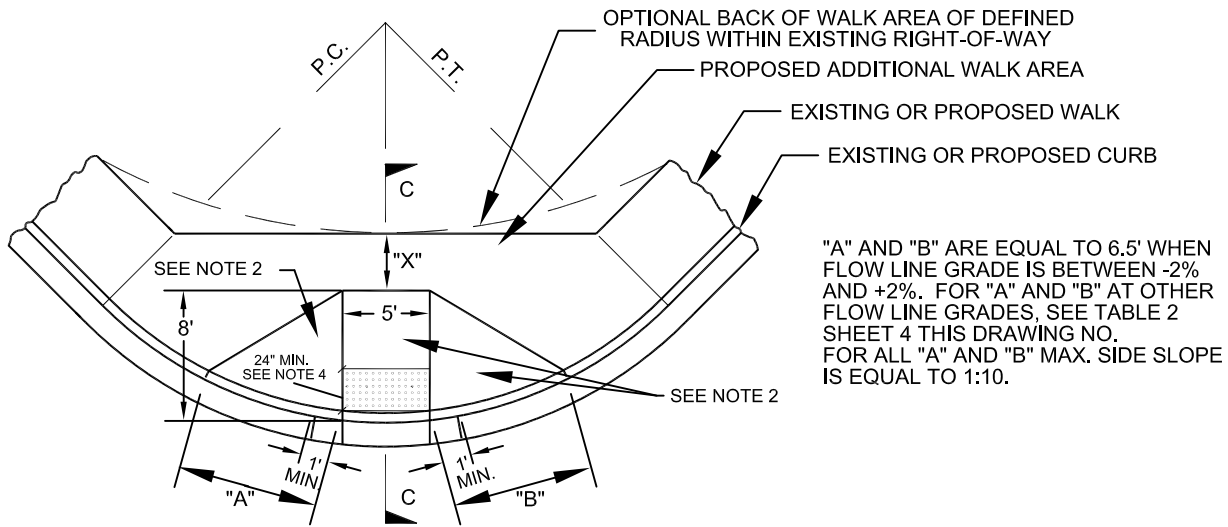
1. SIDEWALK RAMPS OUTSIDE OF THE CURB RETURN SHALL BE LOCATED ADJACENT TO THE RETURN UNLESS OTHERWISE APPROVED.
2. RAMPS SHALL BE CONSTRUCTED WITH A ROUGH BROOM FINISH TRANSVERSE TO THE SLOPE OF THE RAMP.
3. WHEN CONSTRUCTING RAMP WHERE CURB & GUTTER EXISTS, COMPLETELY REMOVE INTERFERING PORTIONS OF EXISTING CURB & GUTTER.
4. DETECTABLE WARNING CONSISTING OF RAISED TRUNCATED DOMES WHICH COMPLY WITH DETAILS ON SHEET 4 OF THIS DRAWING NO. AND CONTRASTING VISUALLY WITH ADJOINING SURFACES SHALL BE PLACED ON BOTTOM PORTION OF RAMP EXTENDING THE FULL WIDTH OF THE RAMP AND TO A MINIMUM DEPTH OF 24 INCHES. PAVER BLOCKS PERMITTED ONLY IN THE CITY OF BOULDER CITY FOR DETECTABLE WARNING AREAS.
5. CURB MAY BE PLACED AND IS PREFERRED BEHIND BACK OF WALK IF SUFFICIENT RIGHT-OF-WAY OR EASEMENTS EXIST AND AS APPROVED BY THE ENGINEER.

SPECIFICATION REFERENCE	
302	AGGREGATE BASE
501	CONCRETE
502	CONCRETE STRUCTURES

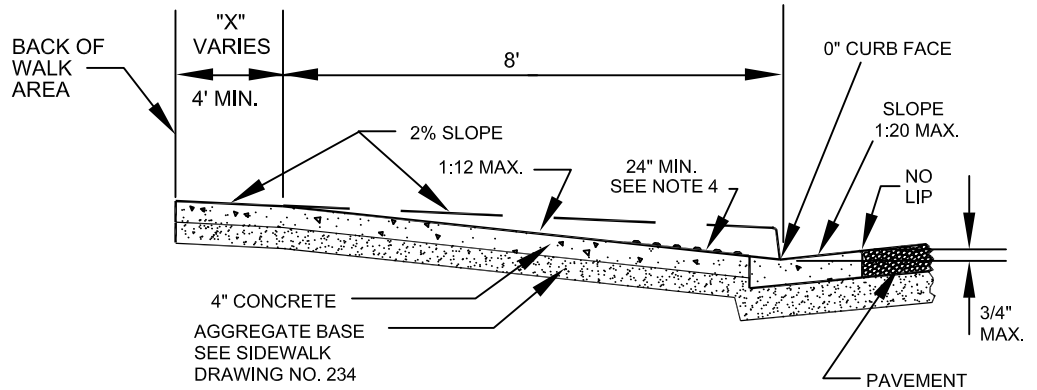
**UNIFORM STANDARD DRAWINGS
CLARK COUNTY AREA**

**SIDEWALK RAMP
CASE I**

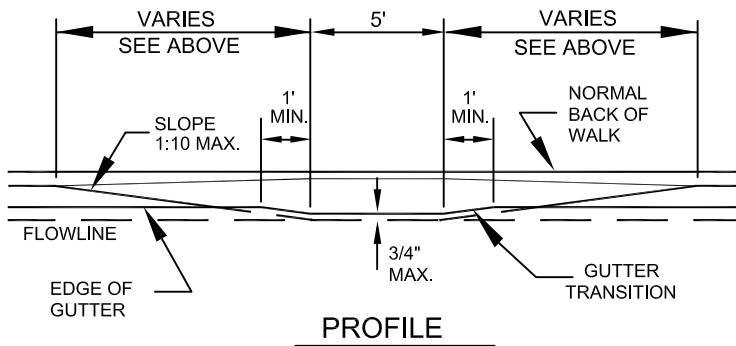
DATE 11-8-07	DWG. NO. 235	(1 OF 4)	
--------------	--------------	----------	--



RAMP IN CURB RETURN
(NO BACK OF WALK DEPRESSION)



SECTION C-C



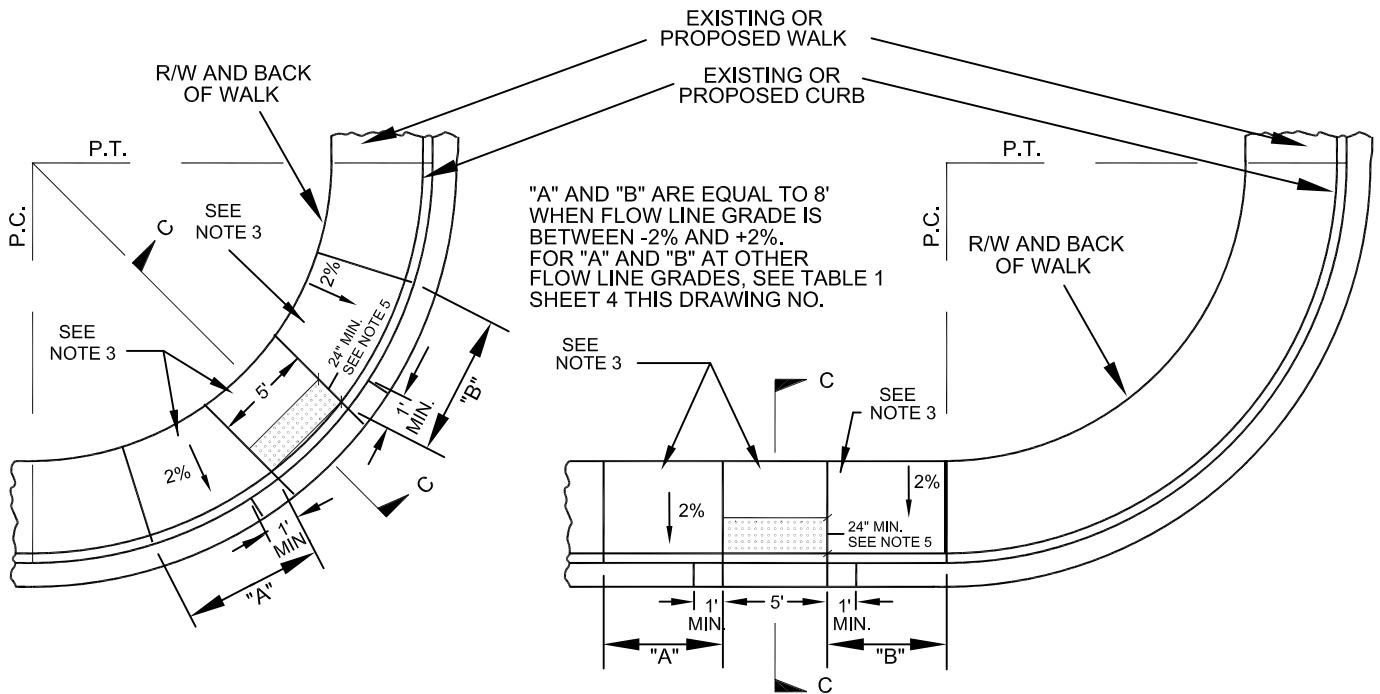
PROFILE

CASE II SHALL BE USED WHERE R/W AND FIELD CONDITIONS PERMIT.

NOTES:

1. SIDEWALK RAMP WITHIN CURB RETURN SHALL BE LOCATED AT THE MIDPOINT OF CURB RETURN UNLESS OTHERWISE APPROVED.
2. RAMPS SHALL BE CONSTRUCTED WITH A ROUGH BROOM FINISH TRANSVERSE TO THE SLOPE OF THE RAMP.
3. WHEN CONSTRUCTING RAMP WHERE CURB & GUTTER EXISTS, COMPLETELY REMOVE INTERFERING PORTIONS OF EXISTING CURB & GUTTER.
4. DETECTABLE WARNING CONSISTING OF RAISED TRUNCATED DOMES WHICH COMPLY WITH DETAILS ON SHEET 4 OF THIS DRAWING NO. AND CONTRASTING VISUALLY WITH ADJOINING SURFACES SHALL BE PLACED ON BOTTOM PORTION OF RAMP EXTENDING THE FULL WIDTH OF THE RAMP AND TO A MINIMUM DEPTH OF 24 INCHES. PAVER BLOCKS PERMITTED ONLY IN THE CITY OF BOULDER CITY FOR DETECTABLE WARNING AREAS.

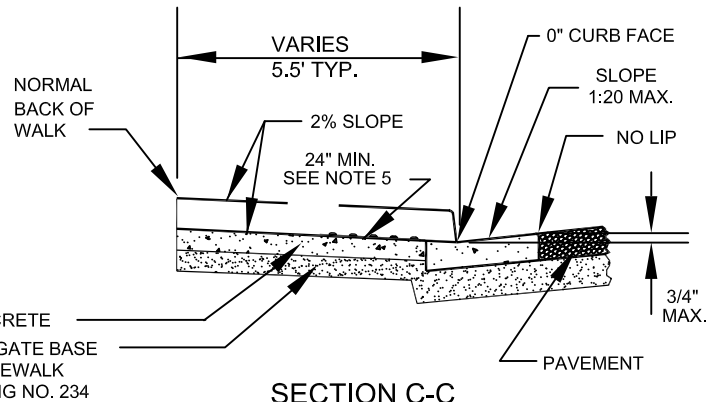
SPECIFICATION REFERENCE		UNIFORM STANDARD DRAWINGS CLARK COUNTY AREA		
302	AGGREGATE BASE	SIDEWALK RAMP CASE II		
501	CONCRETE			
502	CONCRETE STRUCTURES			
		DATE 11-10-04	DWG. NO. 235 (2 OF 4)	PAGE 41A



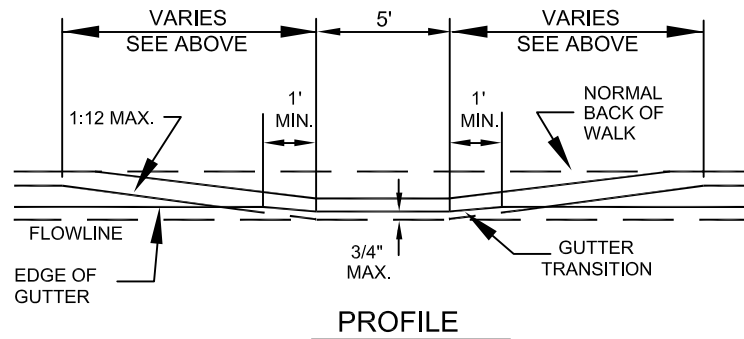
RAMP IN CURB RETURN

RAMP OUTSIDE CURB RETURN

"A" AND "B" ARE EQUAL TO 8' WHEN FLOW LINE GRADE IS BETWEEN -2% AND +2%. FOR "A" AND "B" AT OTHER FLOW LINE GRADES, SEE TABLE 1 SHEET 4 THIS DRAWING NO.



SECTION C-C



PROFILE

CASE III TO BE USED FOR AREAS WHERE OBSTRUCTION (I.E. BLOCK WALL) EXISTS AT BACK OF WALK ONLY WHEN APPROVED BY THE ENGINEER.

NOTES:

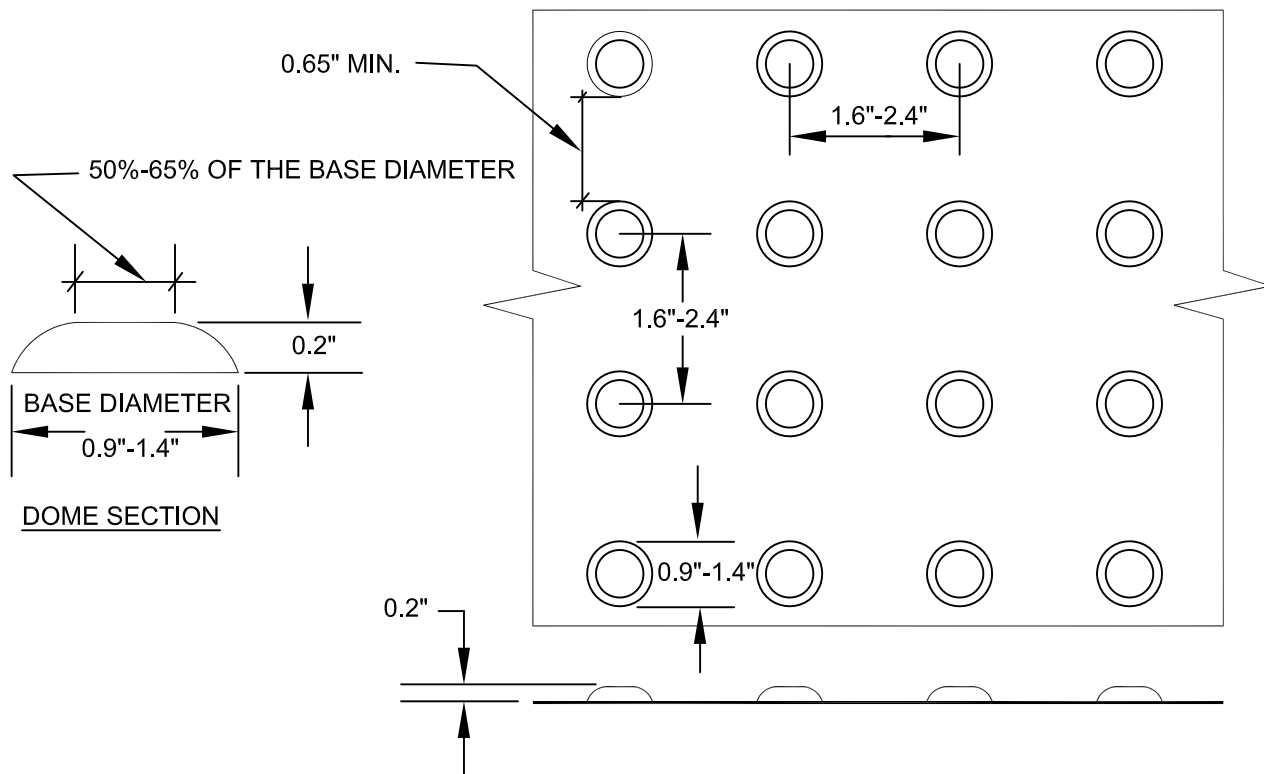
1. SIDEWALK RAMP WITHIN CURB RETURN SHALL BE LOCATED AT THE MIDPOINT OF CURB RETURN UNLESS OTHERWISE APPROVED.
2. SIDEWALK RAMPS OUTSIDE OF THE CURB RETURN SHALL BE LOCATED ADJACENT TO THE RETURN UNLESS OTHERWISE APPROVED.
3. RAMPS SHALL BE CONSTRUCTED WITH A ROUGH BROOM FINISH TRANSVERSE TO THE SLOPE OF THE RAMP.
4. WHEN CONSTRUCTING RAMP WHERE CURB & GUTTER EXISTS, COMPLETELY REMOVE INTERFERING PORTIONS OF EXISTING CURB & GUTTER.
5. DETECTABLE WARNING CONSISTING OF RAISED TRUNCATED DOMES WHICH COMPLY WITH DETAILS ON SHEET 4 OF THIS DRAWING NO. AND CONTRASTING VISUALLY WITH ADJOINING SURFACES SHALL BE PLACED ON BOTTOM PORTION OF RAMP EXTENDING THE FULL WIDTH OF THE RAMP AND TO A MINIMUM DEPTH OF 24 INCHES. PAVER BLOCKS PERMITTED ONLY IN THE CITY OF BOULDER CITY FOR DETECTABLE WARNING AREAS.

SPECIFICATION REFERENCE	
302	AGGREGATE BASE
501	CONCRETE
502	CONCRETE STRUCTURES

**UNIFORM STANDARD DRAWINGS
CLARK COUNTY AREA**

**SIDEWALK RAMP
CASE III**

DATE 11-10-04	DWG. NO. 235	(3 OF 4)	PAGE 41B
---------------	--------------	----------	----------



DETECTABLE WARNING DETAILS (TRUNCATED DOMES)

GRADE (%) "B" TO "A"	"A" (FT) MIN.	"B" (FT) MIN.
-6 TO -5.01	4.5	21.5
-5 TO -4.01	4.5	15.0
-4 TO -3.01	4.5	12.0
-3 TO -2.01	4.5	9.5
-2 TO 2	8.0	8.0
2.01 TO 3	9.5	4.5
3.01 TO 4	12.0	4.5
4.01 TO 5	15.0	4.5
5.01 TO 6	21.5	4.5

TABLE 1. TRANSITION LENGTHS FOR 1:12 SIDE SLOPES

GRADE (%) "B" TO "A"	"A" (FT) MIN.	"B" (FT) MIN.
-6 TO -5.01	4.0	12.5
-5 TO -4.01	4.0	10.0
-4 TO -3.01	4.0	8.5
-3 TO -2.01	4.0	7.5
-2 TO 2	6.5	6.5
2.01 TO 3	7.5	4.0
3.01 TO 4	8.5	4.0
4.01 TO 5	10.0	4.0
5.01 TO 6	12.5	4.0

TABLE 2. TRANSITION LENGTHS FOR 1:10 SIDE SLOPES

NOTE:

CHARTS APPLY TO CURB WITH 6" CURB FACE. IF CURB HAS GREATER THAN A 6" CURB FACE, A SPECIAL DESIGN IS REQUIRED.

SPECIFICATION REFERENCE		UNIFORM STANDARD DRAWINGS CLARK COUNTY AREA		
302	AGGREGATE BASE	SIDEWALK RAMP DETAILS		
501	CONCRETE			
502	CONCRETE STRUCTURES			
		DATE 6-8-06	DWG. NO. 235 (4 OF 4)	PAGE 41C