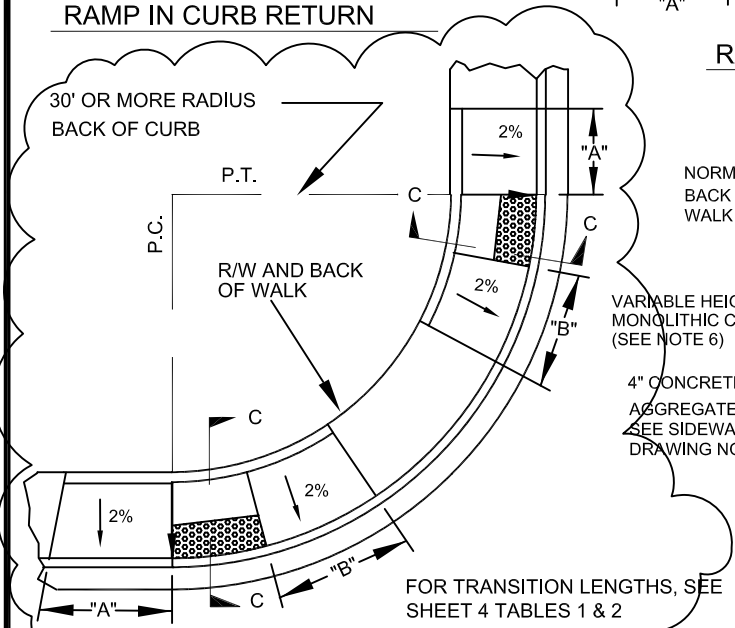
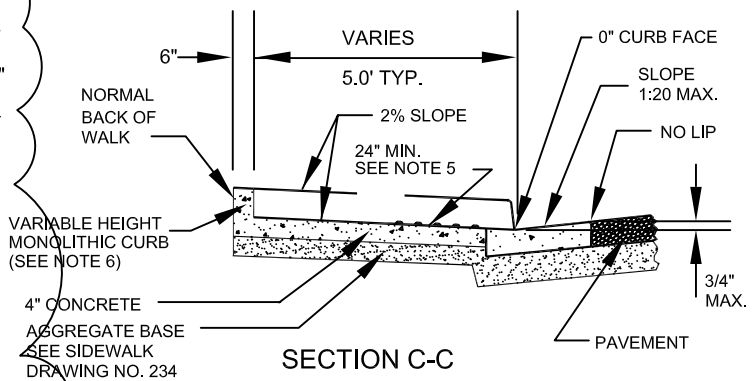


RAMP IN CURB RETURN

RAMP OUTSIDE CURB RETURN



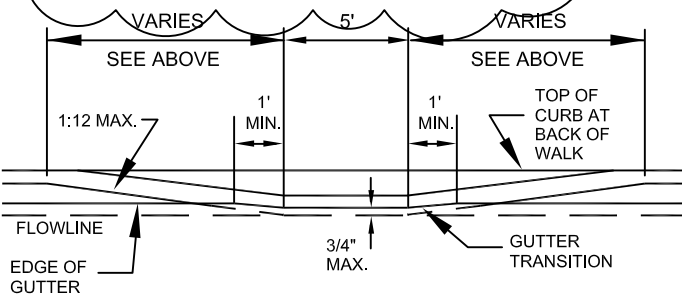
PAIRED RAMP IN CURB RETURN



SECTION C-C

NOTES:

1. ~~SIDEWALK RAMP WITHIN CURB RETURN SHALL BE LOCATED AT THE MIDPOINT OF CURB RETURN UNLESS OTHERWISE APPROVED.~~
1. SIDEWALK RAMPS OUTSIDE OF THE CURB RETURN SHALL BE LOCATED ADJACENT TO THE RETURN UNLESS OTHERWISE APPROVED.
2. RAMPS SHALL BE CONSTRUCTED WITH A ROUGH BROOM FINISH TRANSVERSE TO THE SLOPE OF THE RAMP.
3. WHEN CONSTRUCTING RAMP WHERE CURB & GUTTER EXISTS, COMPLETELY REMOVE INTERFERING PORTIONS OF EXISTING CURB & GUTTER.
4. DETECTABLE WARNING CONSISTING OF RAISED TRUNCATED DOMES WHICH COMPLY WITH DETAILS ON SHEET 4 OF THIS DRAWING NO. AND CONTRASTING VISUALLY WITH ADJOINING SURFACES SHALL BE PLACED ON BOTTOM PORTION OF RAMP EXTENDING THE FULL WIDTH OF THE RAMP AND TO A MINIMUM DEPTH OF 24 INCHES. PAVER BLOCKS PERMITTED ONLY IN THE CITY OF BOULDER CITY FOR DETECTABLE WARNING AREAS.
5. CURB MAY BE PLACED AND IS PREFERRED BEHIND BACK OF WALK IF SUFFICIENT RIGHT-OF-WAY OR EASEMENTS EXIST AND AS APPROVED BY THE ENGINEER.



PROFILE

| SPECIFICATION REFERENCE | |
|-------------------------|---------------------|
| 302 | AGGREGATE BASE |
| 501 | CONCRETE |
| 502 | CONCRETE STRUCTURES |
| | |
| | |
| | |

**UNIFORM STANDARD DRAWINGS
CLARK COUNTY AREA**

**SIDEWALK RAMP
CASE I**

| | | |
|------|-----------------------|--|
| DATE | DWG. NO. 235 (1 OF 4) | |
|------|-----------------------|--|