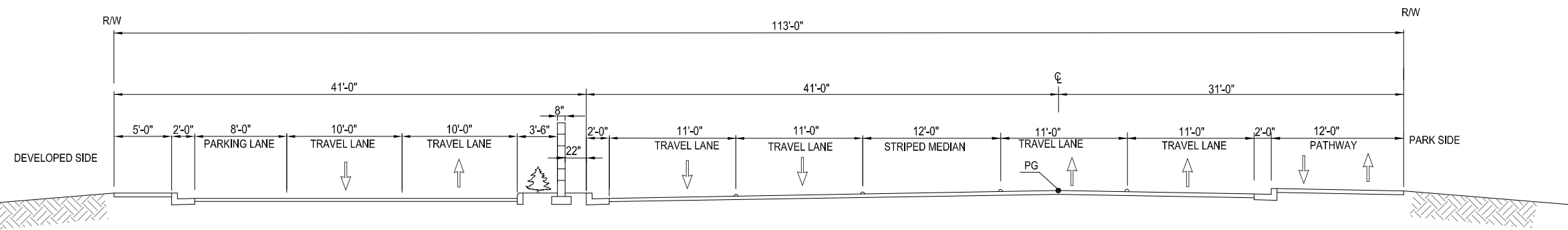
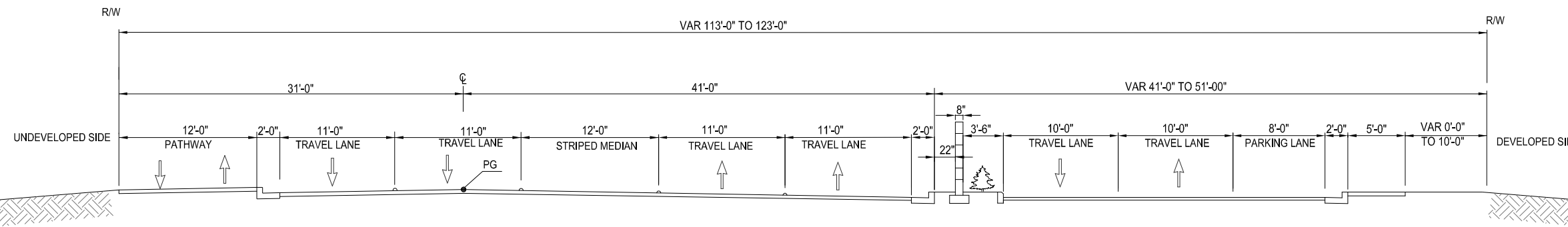


**TYPICAL STREET SECTION FOR RIVERVIEW
4-LANE CONFIGURATION
113' RIGHT-OF-WAY**



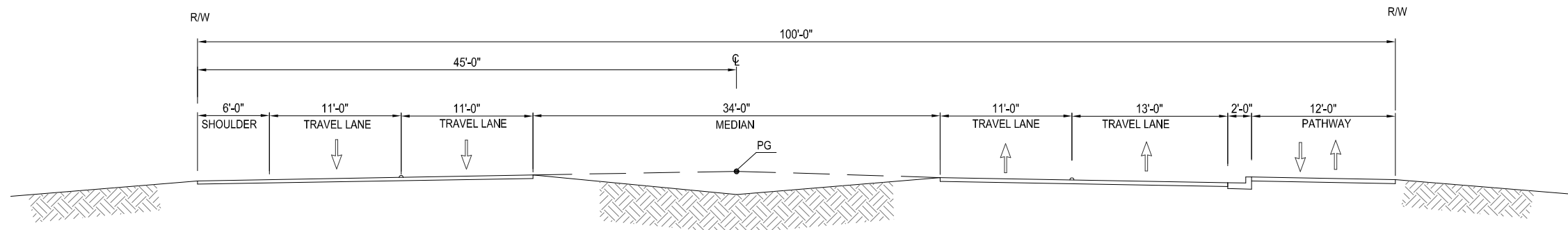
**TYPICAL SECTION - INITIAL CONFIGURATION
ARIZONA SIDE, WEST OF LAKESIDE DRIVE**

**TYPICAL STREET SECTION FOR RIVERVIEW
4-LANE CONFIGURATION
113' TO 123' RIGHT-OF-WAY**



**TYPICAL SECTION - INITIAL CONFIGURATION
ARIZONA SIDE, EAST OF LAKESIDE DRIVE**

**TYPICAL STREET SECTION FOR RIVERVIEW
4-LANE CONFIGURATION
100' RIGHT-OF-WAY**



**TYPICAL SECTION - INITIAL CONFIGURATION
NEVADA SIDE**

**LAUGHLIN-BULLHEAD CITY BRIDGE CROSSING
RIVERVIEW ALTERNATIVE
TYPICAL SECTIONS**

JACOBS
2500 N. BUFFALO DRIVE
SUITE 110
LAS VEGAS, NEVADA 89128
(702) 870-2130

DRAWINGS
ARE FOR
DISCUSSION
PURPOSES
ONLY AND
ARE SUBJECT
TO REVISION



REV No	DATE	APPROVED	DESCRIPTION